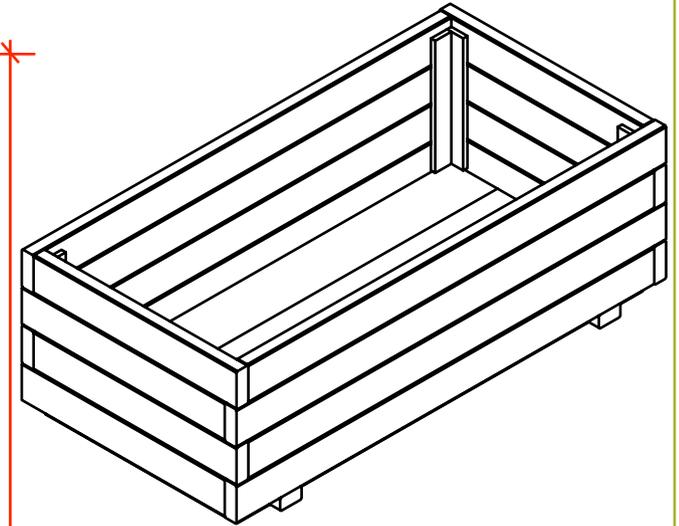
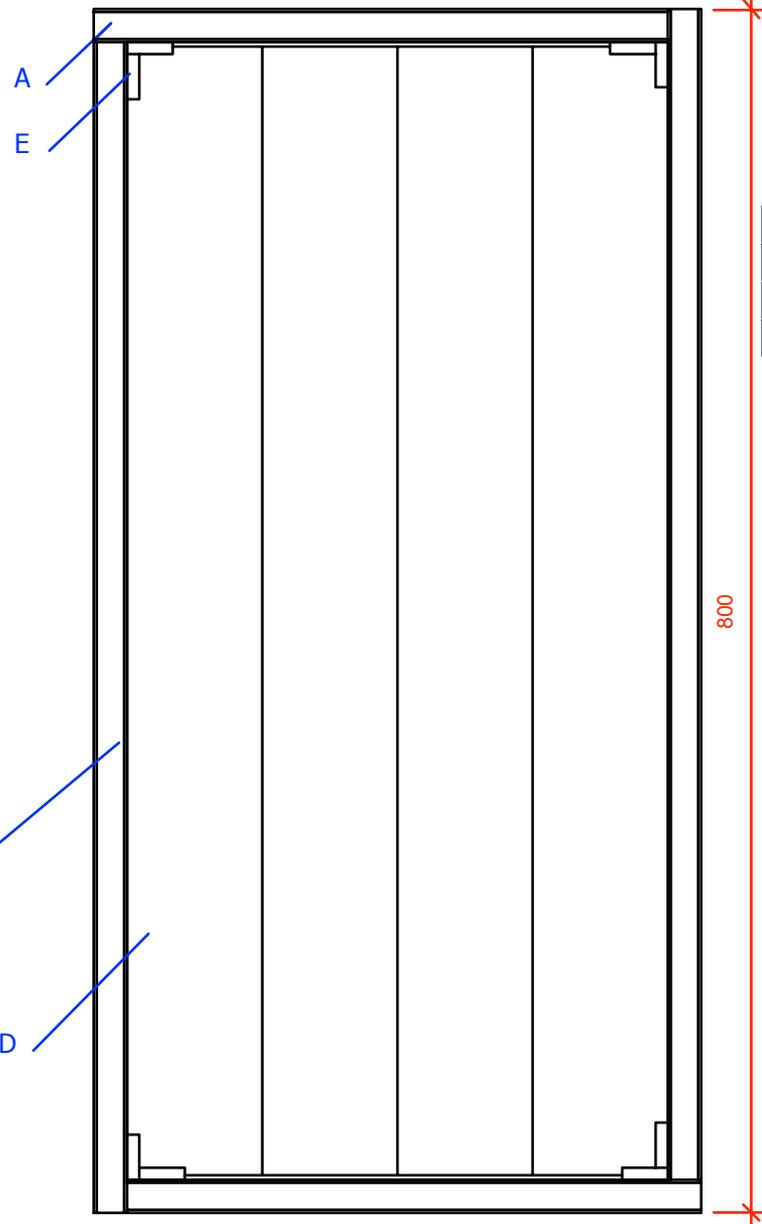
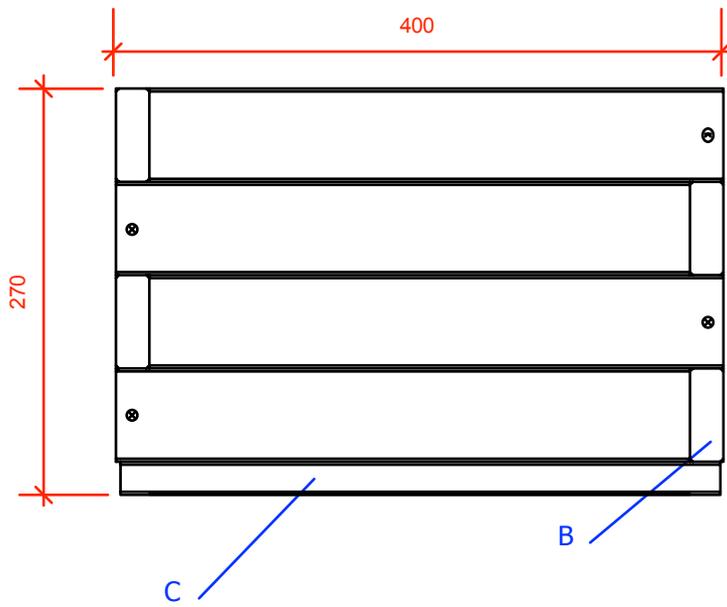


S7231



A :22x62x378	#8
B :22x62x778	#8
C :22x40x395	#2
D :14x89x750	#4
E: 8x30x215	#8
galvanized screws 3.5x50	#20
staples C/D	#24
staples E/A&B	#64
Scale : 1:5	

Signature :